

P-SERIES

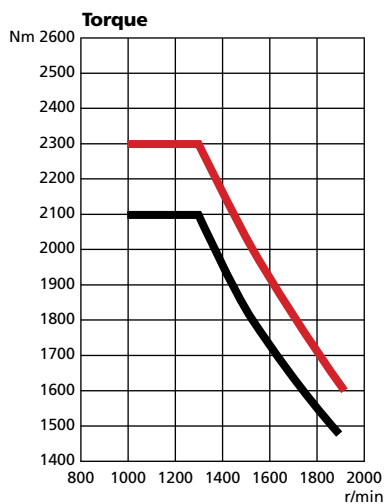
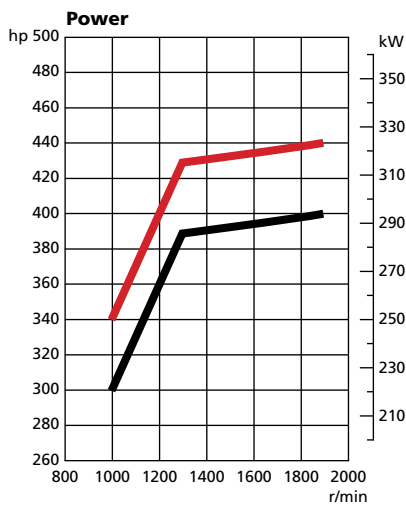
The Scania P-series cab provides a combination of space and security, with easy cab access ideal multi-drop duties. The urban driver's choice.

In 400 or 440 horsepower guise, the P series delivers really powerful, frugal, fuss-free performance, backed by the latest and cleanest Euro 5 SCR technology.

P 400/440

6X4 PRIME MOVER

Chassis Specification



— P 440
— P 400

Engine

440

- Scania DC 13 440 13 Litre In-line 6 cylinder
- Power - 440hp (324kW) @1900rpm
- Torque - 2300Nm (1696lb/ft) @1000 - 1300rpm
- Euro5 (ADR 80/03)

400

- Scania DC 13 400 13 Litre In-line 6 cylinder
- Power - 400hp (294kW) @1900rpm
- Torque - 2100Nm (1549ft/lb) @1000 - 1300rpm
- Euro5 (ADR 80/03)

Engine Features

- Scania electronic fuel injection
- Single stage turbocharger
- SCR with catalytic converter
- Centrifugal engine oil filter
- Spin-on turbocharger oil filter
- Cartridge style fuel filters

Fan

- 11 Blade, electronically controlled viscous drive

Alternator

- Scania 24V, 100amp

Compressor

- Knorr 720, twin cylinder, 800L/min with air drier

Air Cleaner

- Mounted under the grille R/H side

Gearbox

- Scania GRSO905R, Overdrive 14 speed
- With Scania Retarder

Gearbox Features

- Scania Opticruise with Fully Automated Clutch
- PTO - Electrical Preparation

Front & Rear Axle

Front Axle

- Scania AM 740

Front Suspension

- 2 x 32 parabolic front springs 7100kg capacity with anti roll bar

Rear Axles

- Scania ADA 1100 Axle housings
- Scania RB662/R660 Differentials
- Ratio 3.42 with power divider and differential locks

Rear Suspension

- Scania 4 bag air suspension (19000kg capacity)

Brakes

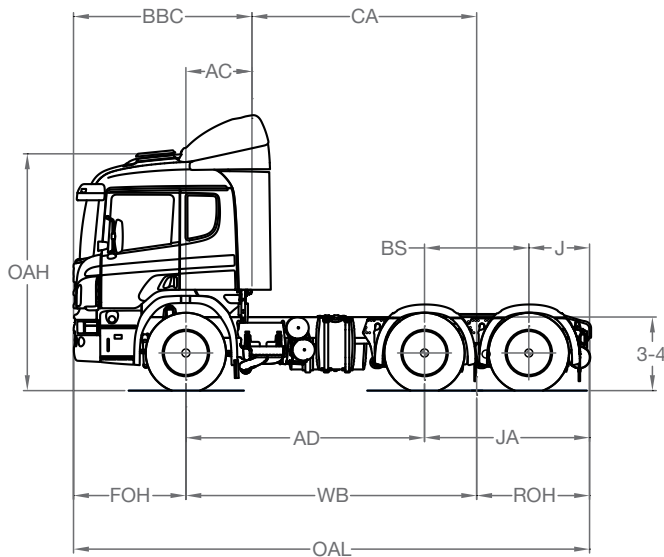
- Scania electronically controlled disc brakes
- EBS with integrated ABS and Traction Control
- Hill hold

Wheels

- Steel Disc, Painted Silver
- 22.5" x 8.25" Tubeless rims
- 335mm PCD

Tyres

- Front – Bridgestone 295/80 R22.5
- Rear – Bridgestone 295/80 R22.5



FOH	1455mm	AC	858mm
AD	3100mm	3-4	997-975mm
WB	3775mm	OAL	6705mm
BS	1350mm	J	(775) + 25mm
ROH	1475mm	JA	(2125) + 25mm
BBC	2313mm	OAH	3035mm
CA	2917mm		

Turntable mounting angles protrude 40mm above the chassis height.

Tare Weight: Front = 5320kg, Rear = 3540kg, Total = 8860kg.

Tare weight includes, tanks full of fuel. It does not include turntable, bull bar or driver.

Weight tolerance +/-5%

Chassis

Frame

- Scania F950, 270 x 90 x 9.5mm
- Width 770mm

Paint

- Scania Sub-Grey (Powder Coat)

Axle Distance

- 3100mm (3775mm wheel base)
- Rear overhang 1475mm

Fuel Tanks

- 700L (1x400L L/H, 1x300L R/H)
- 1 x 75L Urea tank R/H

Front Bumper

- High Mounted FUP compliant bumper
- FUP to ECE R93

Batteries

- 24V (2x12V, 180amp) L/H Side
- Chassis electrical connection for auxiliary equipment (Max 200amps)

Trailer Connections - Brakes

- Trailer Supply & Emergency suzi coils

Trailer Connections - Electrical

- 24V trailer light outlet (ISO 1185)
- Trailer lead 7pole to 7pole
- 24V trailer 7pin ABS outlet
- Scania Body Work System with Cable Harness
- Front Mudguards with Spray suppression
- Rear Mudguards with Spray suppression

Cabin

- Scania CP19 Normal Sleeper cab with four point spring suspension
- Cab Strength to ECE R29

Paint

- Cabin painted Scania white
- With Grey grille

Exterior Equipment

- Aerodynamic main & spotter mirrors electrically heated
- Electrically adjustable main mirrors
- Close up mirror on passenger side
- Front view mirror
- Roof rails with full air foil kit
- Roof mounted air horns
- Manual roof hatch with mosquito net
- Manual Central Locking
- Reverse alarm

Lighting

- H7 headlights
- LED daytime running lights
- End outline marker - White LED
- Identification lamp - Amber LED
- Boarding step lights
- Turntable light

Safety

- Driver seat belt pretensioner
- Driver's air bag

Interior Equipment

- Premium driver's seat with armrest.
- Fully adjustable with lumbar support
- Folding passenger seat
- Black woven trim
- Cruise Control & Dash display controlled from the steering wheel
- Scania colour dash display featuring rear axle load, hour meter, service and vehicle information
- AM/FM radio, CD player
- Phone electrical preparation
- 12V outlet in dash
- FMS Preparation
- Resettable circuit breakers
- Power windows
- Manual climate control with air conditioning
- 700mm wide bed
- Curtains, windscreen & doors, bed
- Protective rubber floor mats
- UHF CB radio

Additional Equipment

- 20m tyre inflation hose
- Jack & wheel brace
- Globe kit
- Drivers manual
- Three safety triangles

Notes



SCANIA
Total Transport Solutions
scania.com.au

HEAD OFFICE

212 – 216
Northbourne Rd
Campbellfield, 3061
Tel: (03) 9217 3300

VICTORIA

Scania Campbellfield
212 – 216 Northbourne Rd
Campbellfield, 3061
Tel: (03) 9217 3300

Scania Dandenong

2/66 Greens Rd
Dandenong South, 3175
Tel: (03) 9217 3600

Scania Laverton

125 – 129 Boundary Rd
Laverton, 3026
Tel: (03) 9369 8666

NEW SOUTH WALES

Scania Prestons
16 – 18 Lyn Pde
Prestons, 2170
Tel: (02) 9825 7900

Scania Newcastle

1 Enterprise Drive
Beresfield, 2322
Tel: (02) 9825 7940

K & J Trucks Pty Ltd

Lot 1 Pacific Highway
Boambee, 2450
Tel: (02) 6652 7218

NJ's of Wagga

301 Copland Street
Wagga Wagga, 2650
Tel: (02) 6971 7214

QUEENSLAND

Scania Richlands
149 Archerfield Rd
Richlands, 4077
Tel: (07) 3712 8500

Scania Pinkenba

213 Holt St
Pinkenba, 4008
Tel: (07) 3712 7900

SOUTH AUSTRALIA

Scania Wingfield
218 – 234 Cormack Rd
Wingfield, 5010
Tel: (08) 8406 0200

WESTERN AUSTRALIA

Scania Kewdale
527 – 529 Abernethy Rd
Kewdale, 6105
Tel: (08) 9360 8500

Scania Bunbury

12 Proffitt St
Davenport, 6230
Tel: (08) 9724 6200